

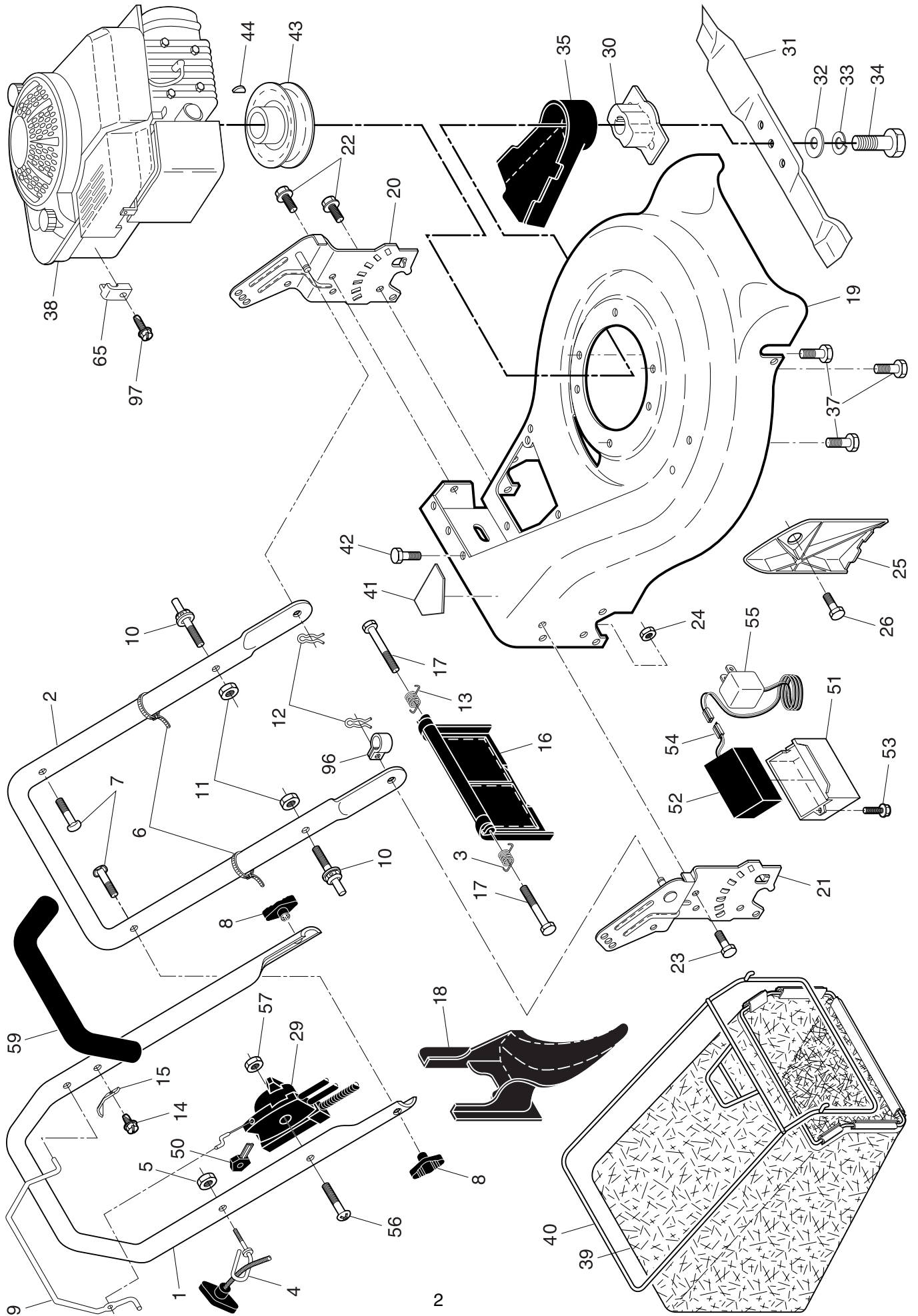
ILLUSTRATED PARTS LIST

CUSTOMER MODEL NUMBER 553CME

PRODUCT NUMBER 961 41 00-14

MFG. ID. NUMBER 96141001400

ROTARY LAWN MOWER -- CUSTOMER MODEL NO. 553CME (96141001400) PRODUCT NO. 961 41 00-14

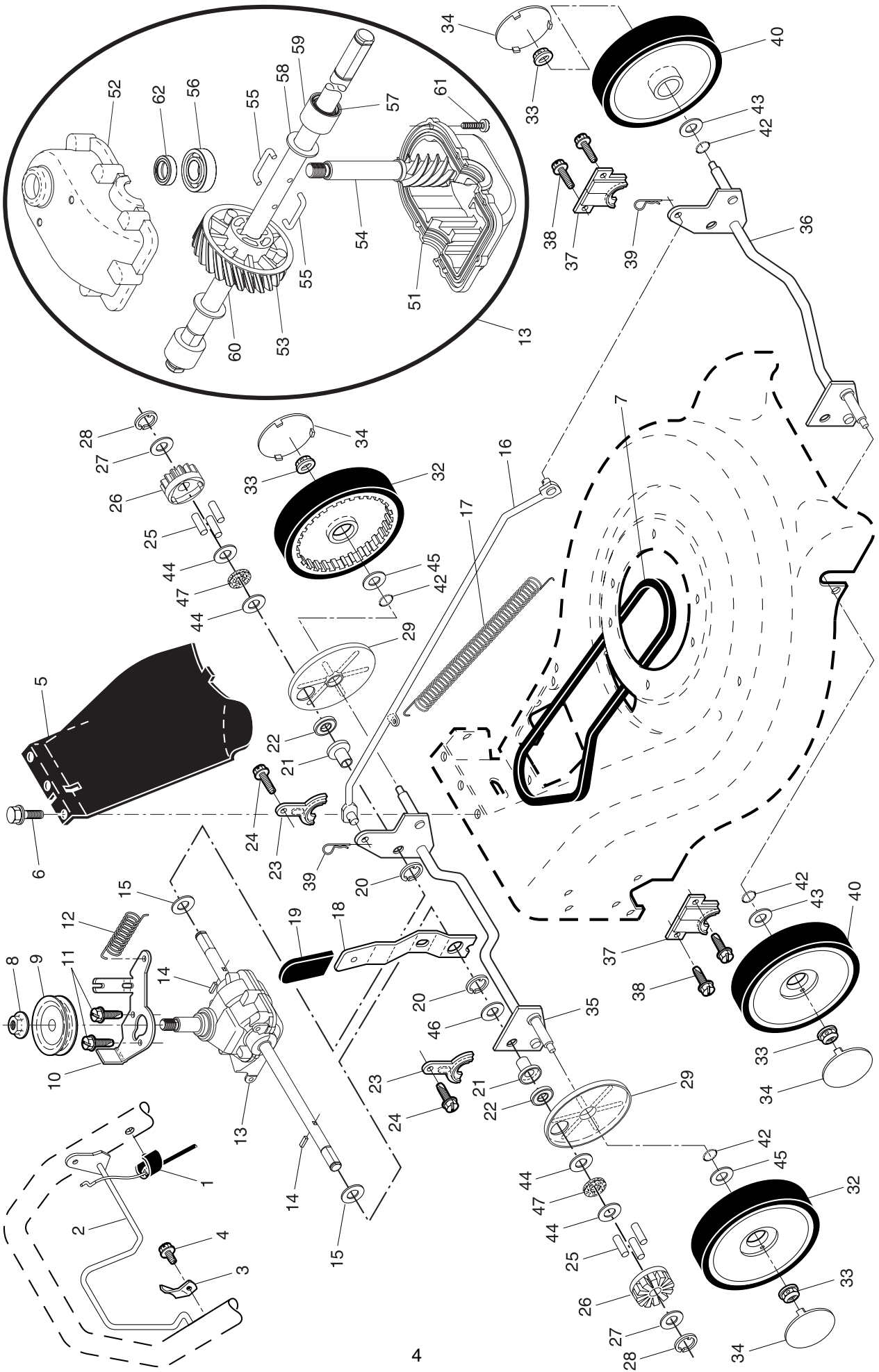


ROTARY LAWN MOWER -- CUSTOMER MODEL NO. 553CME (96141001400) PRODUCT NO. 961 41 00-14

KEY NO.	PART NO.	DESCRIPTION	KEY NO.	PART NO.	DESCRIPTION
1	532 17 80-67	Handle, Upper, Deluxe Comfort	33	532 85 02-63	Lockwasher, Helical Spring 3/8
2	532 19 60-05	Handle, Lower	34	532 85 10-84	Screw, Hex Head 3/8-24 x 1.38
3	532 18 60-53	Spring, Rear Door, RH	35	532 18 91-85	Shield, Debris
4	532 17 95-85	Guide, Rope, Side	37	532 15 04-06	Bolt, Engine
5	532 13 20-04	Nut, Hex, with Lockwasher Insert 1/4-20	38	- - -	Engine, Briggs & Stratton, Model No. 12F803 (Order parts from engine manufacturer)
6	532 06 64-26	Wire, Tie	39	532 19 49-68	Bag, Grass Catcher
7	532 19 15-74	Bolt, Handle 5/16-18 x 1.75	40	532 18 88-17	Frame, Grass Bag
8	532 19 19-38	Knob, Handle	41	532 18 21-66	Decal Danger
9	532 19 18-19	Bail, Control, Wire, Deluxe Comfort, Black	42	532 05 45-83	Screw, Self Tapping
10	532 18 88-21	Bolt, Carriage	43	532 18 49-41	Pulley, Engine
11	873 99 05-00	Nut, Hex, with Lockwasher Insert 5/16-18 UNC	44	532 18 77-23	Key, Hi-Pro
12	532 05 17-93	Cotter, Hairpin	50	532 18 03-31	Key (2)
13	532 18 60-52	Spring, Rear Door, LH	51	532 16 13-34	Box, Battery
14	532 12 51-62	Bracket, Upstop	52	532 75 09-09	Battery
15	532 75 06-34	Screw, Tapping, Hex Washer Head #10-24	53	817 41 13-12	Screw, Hex Washer Head #13 x .75
16	532 19 05-74	Rear Door Assembly	54	532 08 63-53	Mounting Clip, Connector
17	532 18 41-93	Bolt, Rear Door	55	532 19 24-36	Charger, Battery
18	532 18 75-35	Plug, Mulcher	56	532 18 33-65	Screw
19	532 19 66-91	Kit, Lawn Mower Housing Assembly	57	532 75 11-52	Nut, Hex
20	532 19 40-29	Handle Bracket Assembly, LH	59	532 16 42-65	Grip, Handle, Foam, Smooth
21	532 19 40-31	Handle Bracket Assembly, RH	65	532 11 11-90	Cable Clamp
22	532 15 00-78	Screw, Hex Washer Head	96	532 19 27-70	Clip, Cable
23	532 16 31-83	Bolt, Hex Head 5/16-18 x 5/8	97	532 08 38-16	Screw
24	873 80 05-00	Nut, Hex, with Lockwasher Insert 5/16-18	- -	532 18 21-34	Warning Decal
25	532 16 13-33	Baffle, Side	- -	532 19 50-58	Operator's Manual, European
26	532 16 34-09	Screw #12 x 5/8	- -	532 19 50-62	Operator's Manual, Scandinavian
29	532 18 06-94	Drive / Throttle / Electric Start Control			
30	532 18 45-90	Adapter, Blade			
31	532 17 50-52	Blade, 21"			
32	532 85 10-74	Washer, Hardened			

NOTE: All component dimensions given in U.S. inches.
1 inch = 25.4 mm

ROTARY LAWN MOWER -- CUSTOMER MODEL NO. 553CME (96141001400) PRODUCT NO. 961 41 00-14



ROTARY LAWN MOWER - - CUSTOMER MODEL NO. 553CME (96141001400) PRODUCT NO. 961 41 00-14

KEY NO.	PART NO.	DESCRIPTION	KEY NO.	PART NO.	DESCRIPTION
1	532 18 76-26	Cable, Drive	32	532 18 80-42	Wheel & Tire Assembly, Rear, Driven 9 x 2
2	532 16 14-73	Ball, Control, Drive	33	532 08 39-23	Nut, Hex, Flangelock
3	532 16 45-57	Bracket, Downstop	34	532 18 63-06	Hubcap
4	532 75 06-34	Screw, Tapping, Hex Washer Head #10-24	35	532 19 60-16	Shaft Assembly, Rear
5	532 19 66-99	Cover, Drive	36	532 19 60-15	Shaft Assembly, Front
6	532 75 06-34	Screw, Threaded, Rolled #10-25 x .50	37	532 16 14-63	Retainer, Front Shaft
7	532 16 08-16	V-Belt	38	532 16 34-09	Screw #12 x 5/8
8	532 13 20-10	Nut, Hex, Flangelock, Zinc Plated 3/8-16	39	532 70 02-79	Clip, Retainer
9	532 16 39-39	Pulley, Driven	40	532 15 03-48	Wheel & Tire Assembly, Front 8 x 2
10	532 16 45-53	Belt Keeper	42	532 18 81-52	O-Ring
11	817 54 10-11	Screw, Hex Washer Head #10-24 x .668	43	532 08 83-48	Washer, Flat 3/8
12	532 18 76-27	Spring	44	532 06 23-35	Belleville Washer 1/2
13	532 16 96-11	Gearcase Assembly, Complete	45	532 06 77-25	Washer 1/2 x 1-1/2 x .134
14	532 14 53-54	Pin, Spring, Thrust	46	819 57 22-16	Washer
15	532 05 70-79	Washer, Hardened	47	532 08 81-18	Felt Washer
16	532 16 15-84	Rod, Connecting	51	532 18 75-30	Case, Lower
17	532 16 16-02	Spring, Extension	52	532 19 12-45	Case, Upper
18	532 19 61-62	Spring, Selector	53	532 18 75-32	Gear, 24 Teeth
19	532 19 00-69	Knob, Selector Spring	54	532 18 75-33	Shaft, Worm
20	812 00 00-22	E-Ring 7/8	55	532 18 35-05	Wireform
21	532 16 33-65	Bearing Support	56	532 18 35-06	Bearing, Ball
22	532 16 99-11	Bearing, Ball	57	532 18 35-08	Seal, Output Shaft
23	532 16 45-55	Retainer, Drive Assembly	58	532 18 35-09	Washer
24	532 05 78-08	Screw, Tapping, Hex Head 1/4-20 x .75	59	532 18 35-11	Bushing
25	532 17 00-11	Drive Pawl	60	532 19 12-48	Shaft, Output
26	532 16 64-50	Pinion, Drive	61	532 18 35-13	Screw
27	532 05 21-60	Washer, Shim (as required)	62	532 18 35-14	Seal, Worm Shaft
28	812 00 00-58	E-Ring 7/16			
29	532 18 94-03	Cover, Dust, Wheel			

NOTE: All component dimensions given in U.S. inches.
1 inch = 25.4 mm